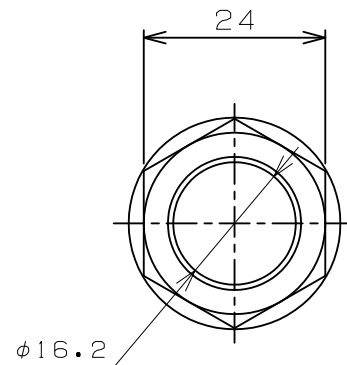
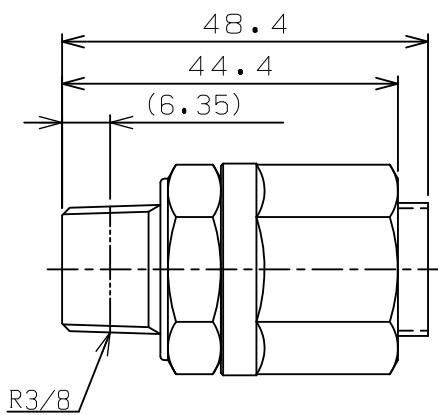
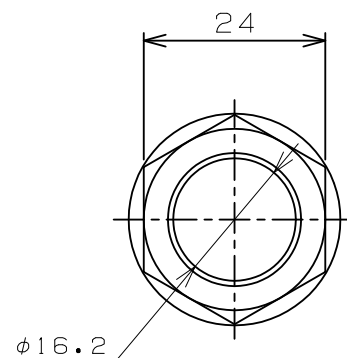
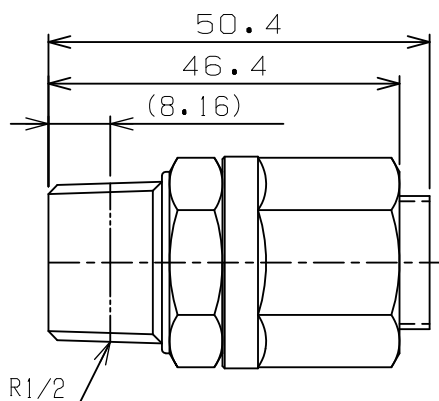


TITLE	KADOMILESS KANTOUCH
MODEL	JH10-1/4-B-N-R ₀



TITLE	KADOMILESS KANTOUCH
MODEL	JH10-3/8-B-N-R ₀



TITLE	KADOMILESS KANTOUCH
MODEL	JH10-1/2-B-N-R ₀

JH10-B-N-R ₀	RGL JOINT CO., LTD
-------------------------	--------------------

DATE	08, 02, 28	A4	1/1
------	------------	----	-----