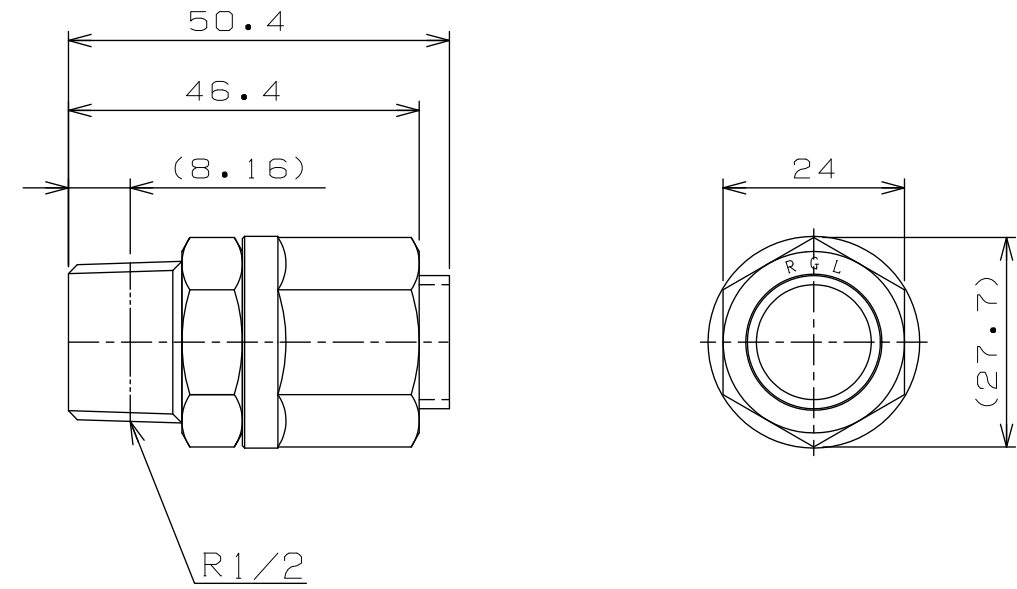
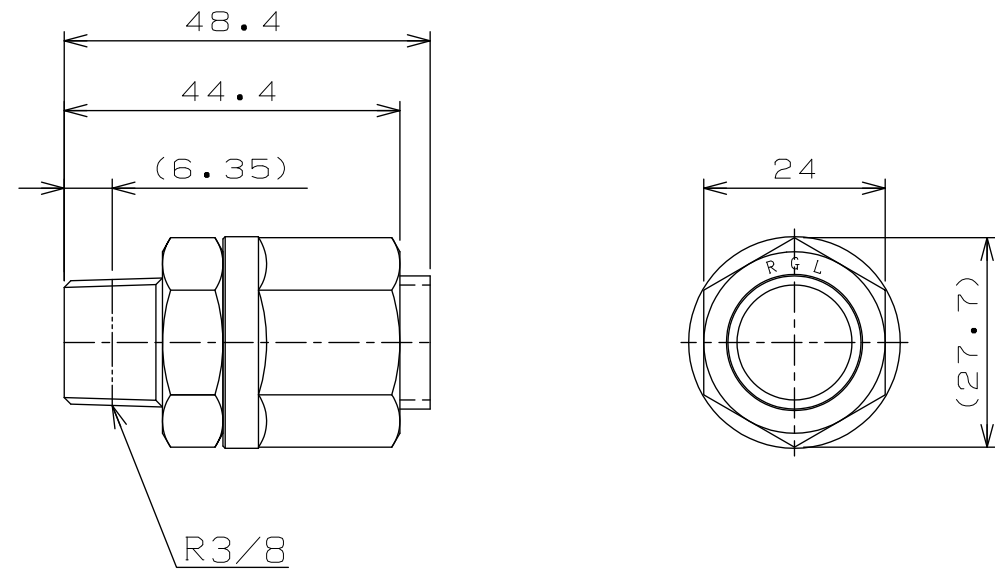


TITLE	KANTOUCH-J
MODEL	JH10-1/4-BorS



TITLE	KANTOUCH-J
MODEL	JH10-1/2-BorS



TITLE	KANTOUCH-J
MODEL	JH10-3/8-BorS

JH10-BorS		RGL JOINT CO., LTD	
DATE	03, 5, 14	A3	1/1