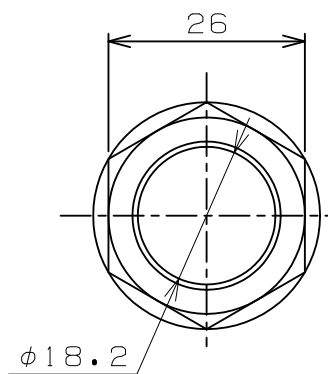
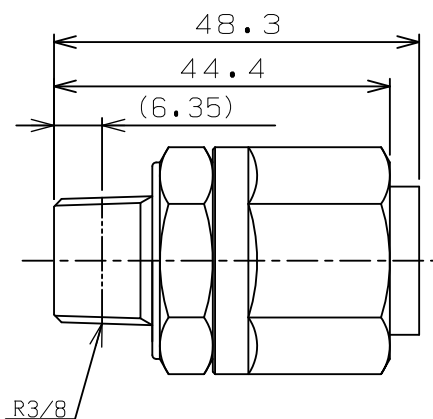
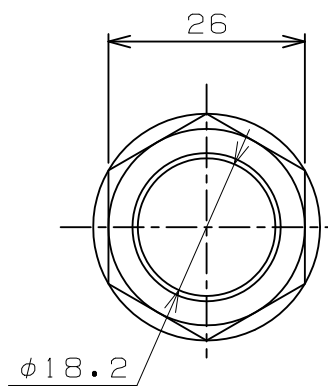
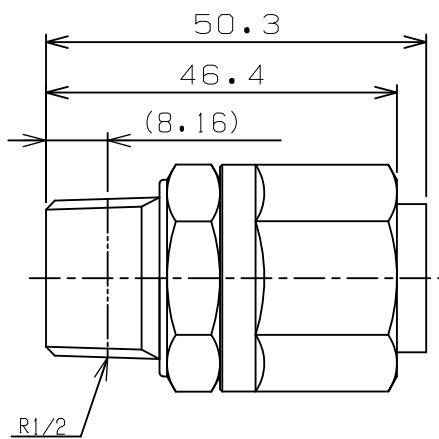


TITLE	KADOMILESS KANTOUCH
MODEL	JH12-1/4-B-N-R <sub>o</sub>



TITLE	KADOMILESS KANTOUCH
MODEL	JH12-3/8-B-N-R <sub>o</sub>



TITLE	KADOMILESS KANTOUCH
MODEL	JH12-1/2-B-N-R <sub>o</sub>

JH12-B-N-R<sub>o</sub>

RGL JOINT CO., LTD

DATE 08, 02, 28

A4

1/1

**RGL JOINT**