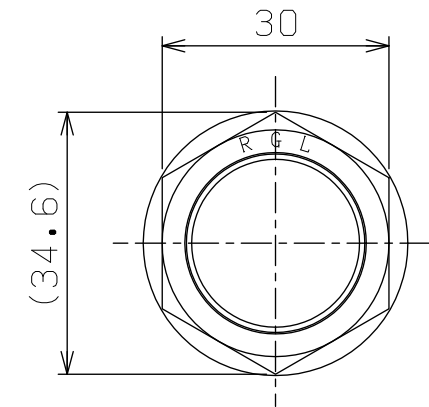
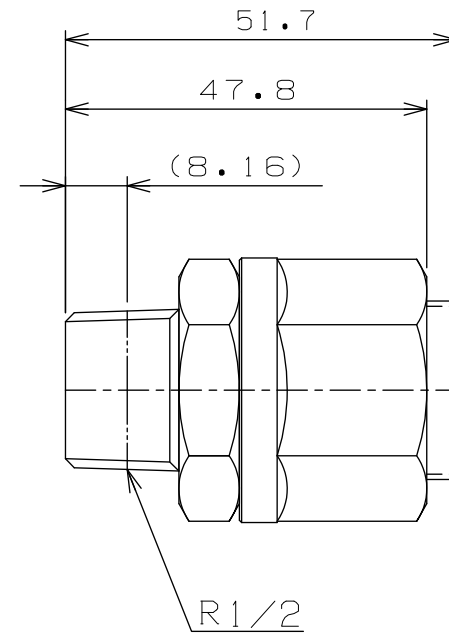
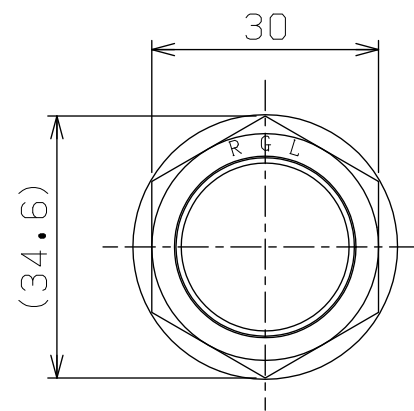
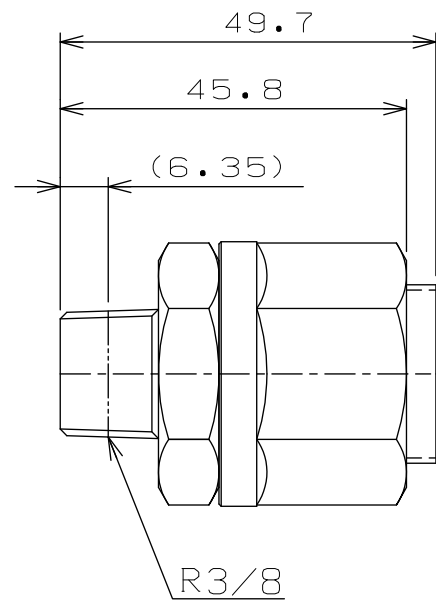


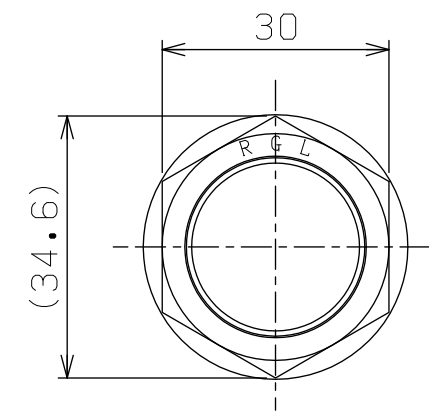
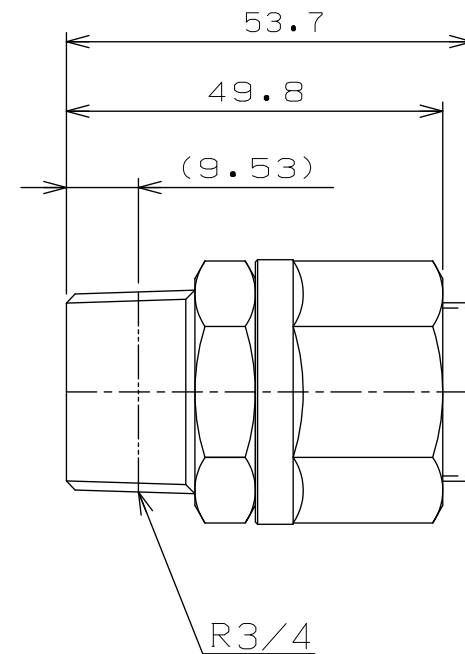
TITLE	KANTOUCH-J
MODEL	JH15-1/4-BorS



TITLE	KANTOUCH-J
MODEL	JH15-1/2-BorS



TITLE	KANTOUCH-J
MODEL	JH15-3/8-BorS



TITLE	KANTOUCH-J
MODEL	JH15-3/4-BorS

JH15-BorS

DATE 03, 5, 14

RGL JOINT CO., LTD

A3

1/1