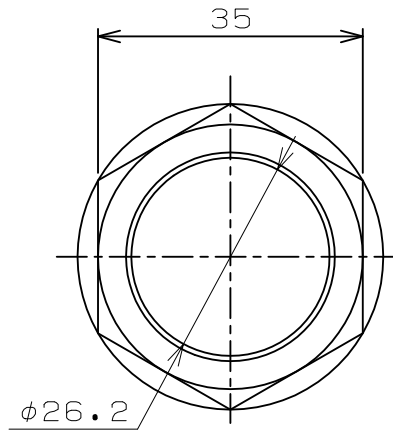
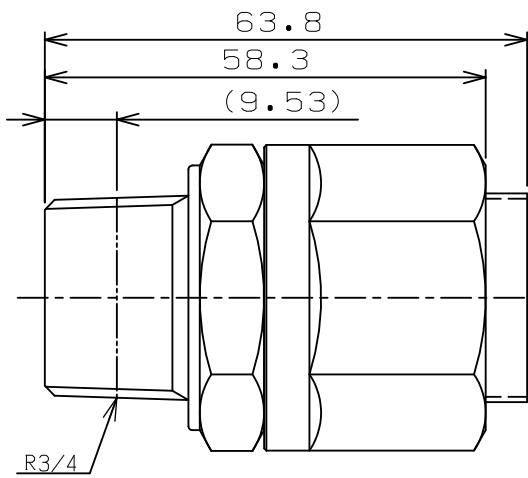
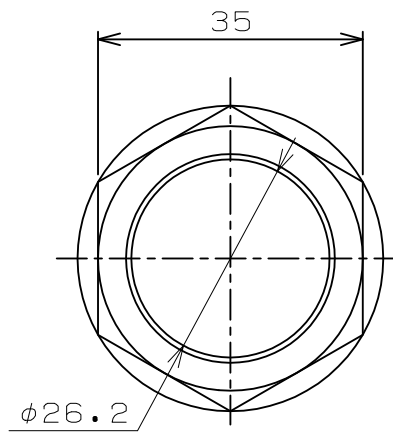
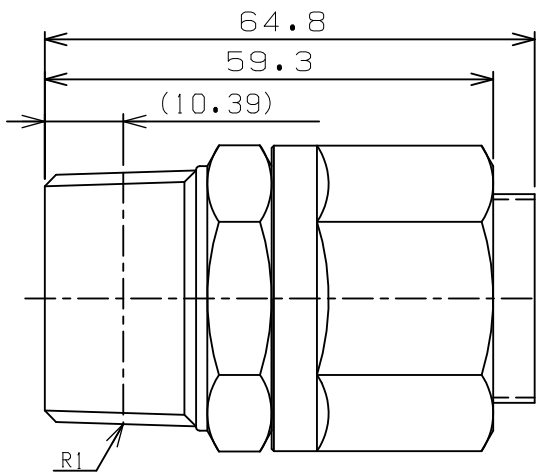


TITLE	KADOMILESS KANTOUCH
MODEL	JH19-1/2-B-N-R ₀



TITLE	KADOMILESS KANTOUCH
MODEL	JH19-3/4-B-N-R ₀



TITLE	KADOMILESS KANTOUCH
MODEL	JH19-1-B-N-R ₀

JH19-B-N-R₀

RGL JOINT CO., LTD

DATE 08, 02, 28

A4

1/1

RGL JOINT