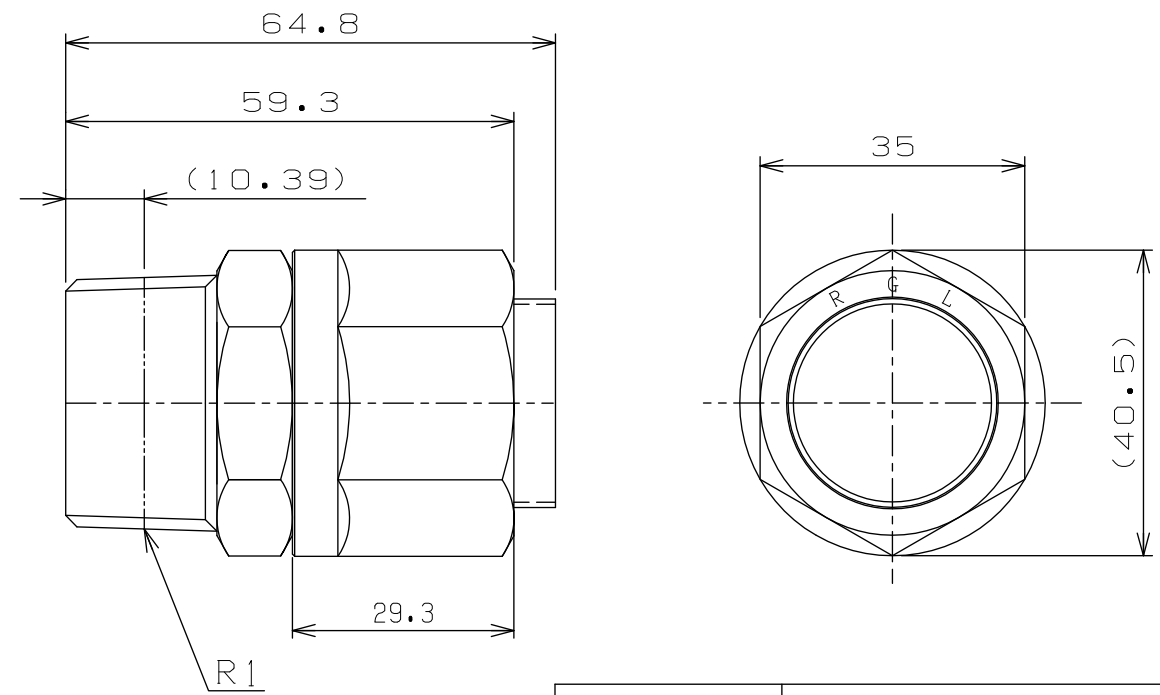
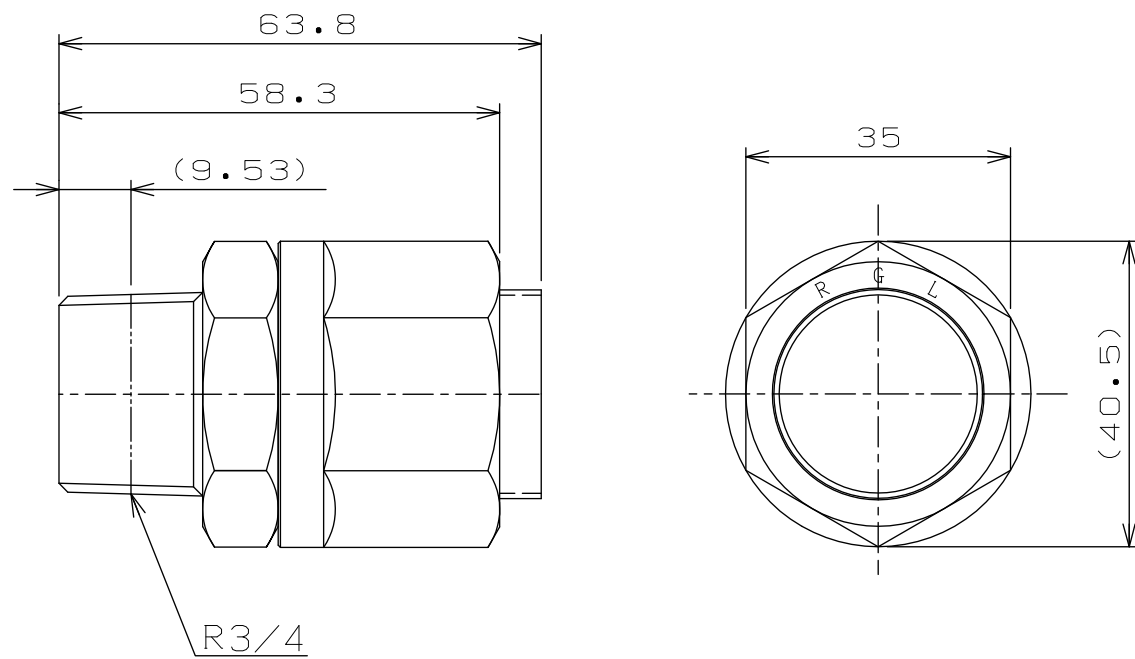


TITLE	KANTOUCH-J
MODEL	JH19-1/2-BorS



TITLE	KANTOUCH-J
MODEL	JH19-1-BorS



TITLE	KANTOUCH-J
MODEL	JH19-3/4-BorS

JH19-BorS

RGL JOINT CO., LTD

DATE 03, 5, 14

A3

1/1