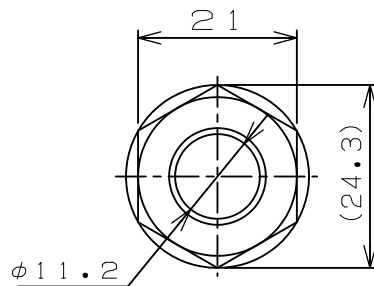
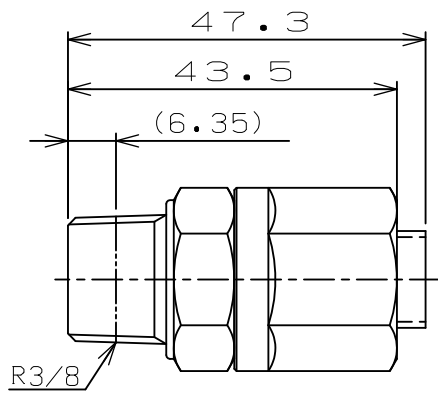


TITLE	KADOMILESS KANTOUCH
MODEL	JH6-1/4-B-N-R <sub>o</sub>



TITLE	KADOMILESS KANTOUCH
MODEL	JH6-3/8-B-N-R <sub>o</sub>

JH6-B-N-R <sub>o</sub>	RGL JOINT CO., LTD
------------------------	--------------------

DATE	08, 02, 27	A4	1/1
------	------------	----	-----