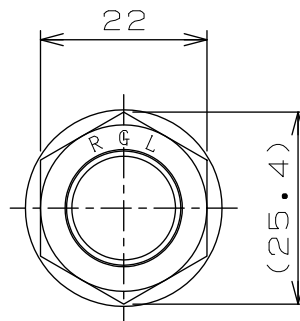
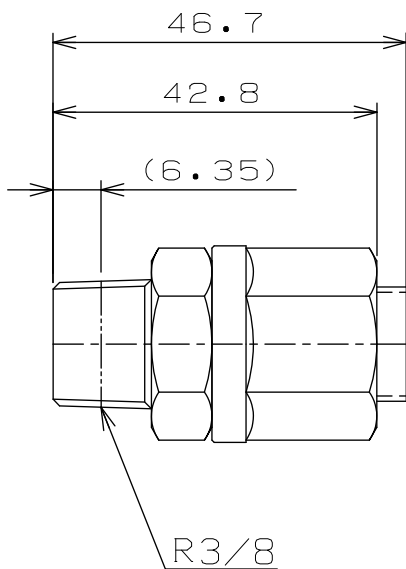


TITLE	KANTOUCH-J
MODEL	JH8-1/4-BorS



TITLE	KANTOUCH-J
MODEL	JH8-3/8-BorS

JH8-BorS	RGL JOINT CO., LTD		
----------	--------------------	--	--

DATE	03, 5, 14	A4	1/1
------	-----------	----	-----