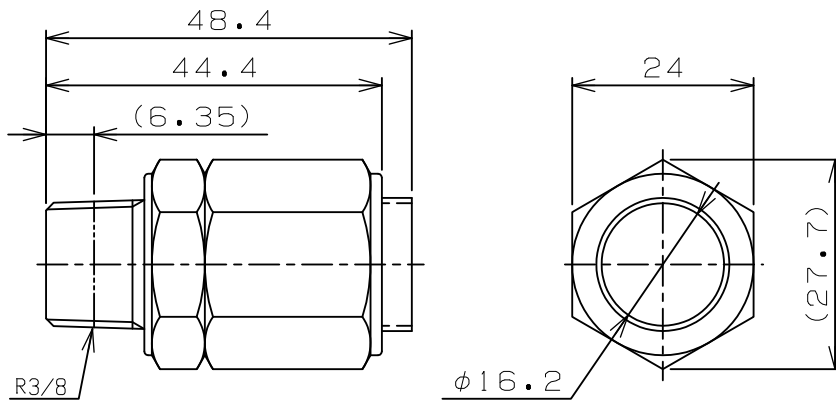
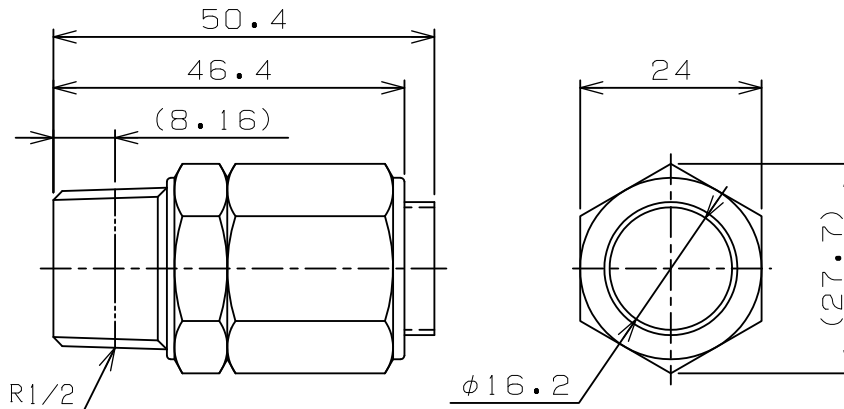


TITLE	KADOMILESS KANTOUCH
MODEL	TH10-1/4-B-N-R _o



TITLE	KADOMILESS KANTOUCH
MODEL	TH10-3/8-B-N-R _o



TITLE	KADOMILESS KANTOUCH
MODEL	TH10-1/2-B-N-R _o

TH10-B-N-R _o		RGL JOINT CO., LTD	
DATE	08, 02, 29	A4	1/1