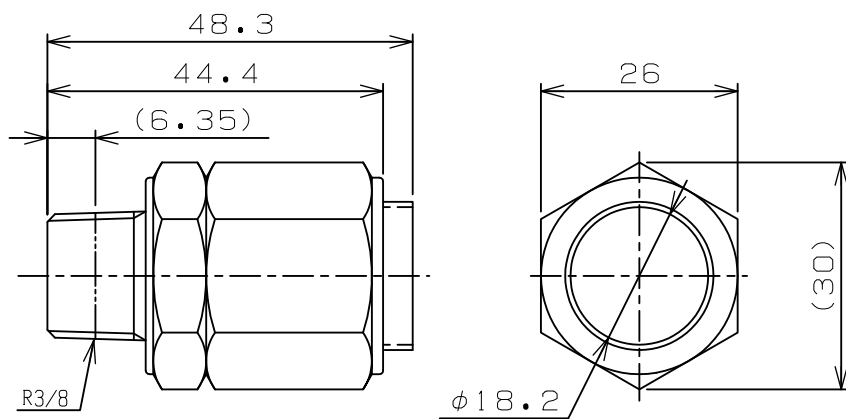
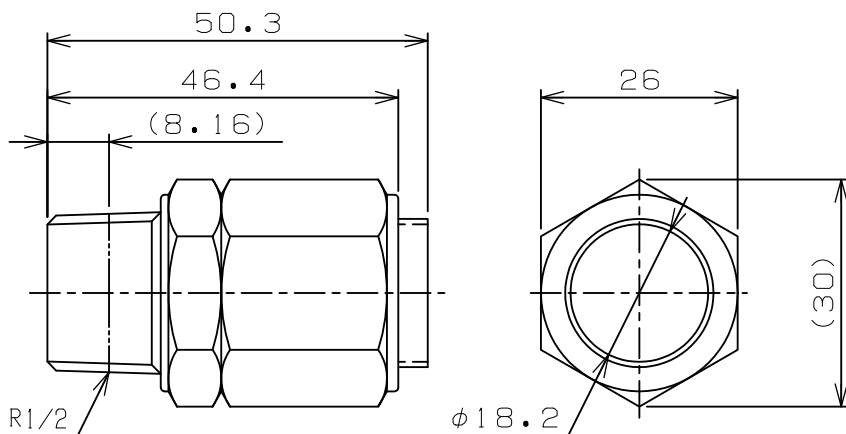


TITLE	KADOMILESS KANTOUCH
MODEL	TH12-1/4-B-N-R ₀



TITLE	KADOMILESS KANTOUCH
MODEL	TH12-3/8-B-N-R ₀



TITLE	KADOMILESS KANTOUCH
MODEL	TH12-1/2-B-N-R ₀

TH12-B-N-R ₀	RGL JOINT CO., LTD		
DATE	08, 02, 29	A4	1/1