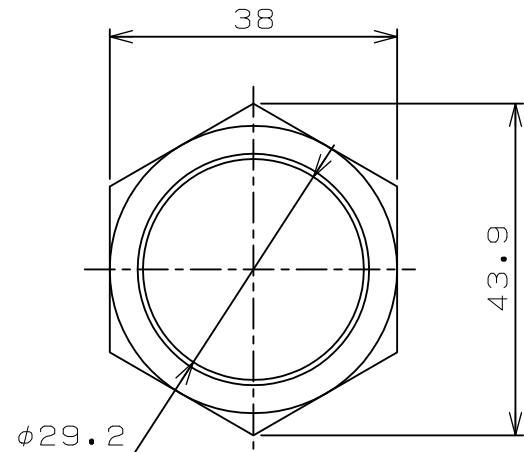
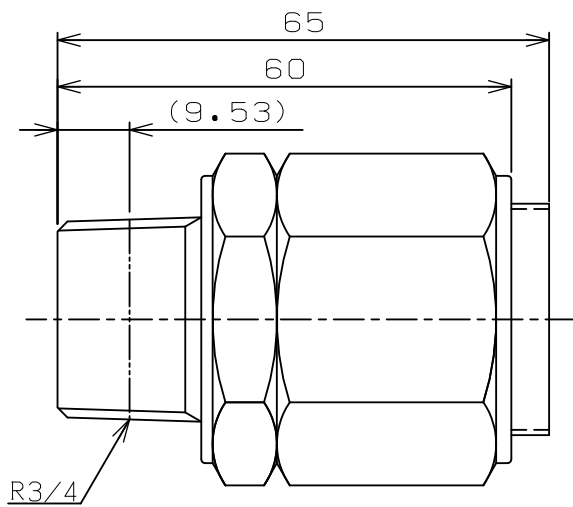
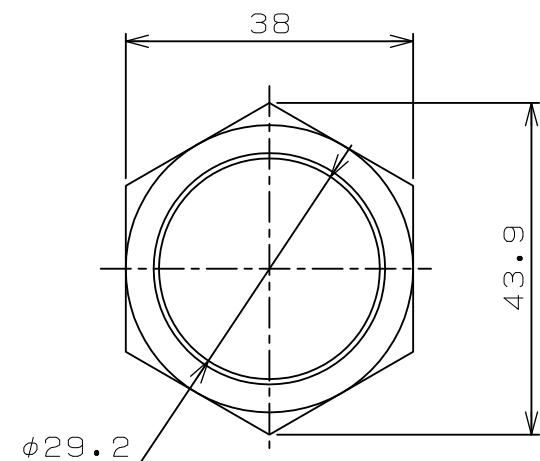
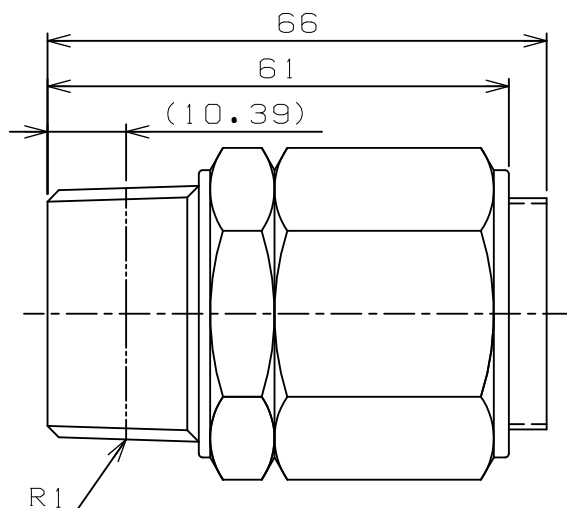


TITLE	KADOMILESS KANTOUCH
MODEL	TH22-1/2-B-N-R <sub>0</sub>



TITLE	KADOMILESS KANTOUCH
MODEL	TH22-3/4



TITLE	KADOMILESS KANTOUCH
MODEL	TH22-1-B-N-R <sub>0</sub>

TH22-B-N-R<sub>0</sub>

RGL JOINT CO., LTD

DATE 08, 02, 29

A4

1/1

**RGL JOINT**