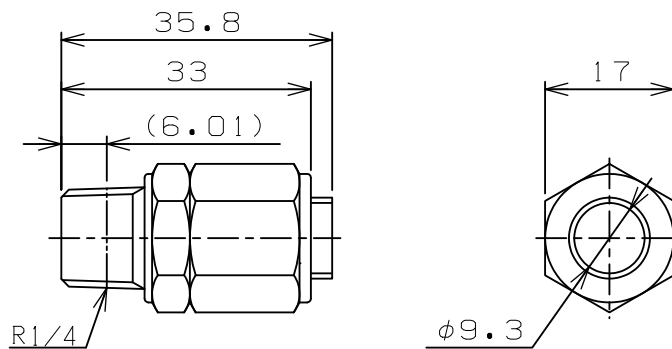


| | |
|-------|---------------------|
| TITLE | KADOMILESS KANTOUCH |
| MODEL | TH4-1/8-B-N-Ro |



| | |
|-------|---------------------|
| TITLE | KADOMILESS KANTOUCH |
| MODEL | TH4-1/4-B-N-Ro |

| | |
|------------|--------------------|
| TH4-B-N-Ro | RGL JOINT CO., LTD |
|------------|--------------------|

| | | | |
|------|------------|----|-----|
| DATE | 08, 02, 28 | A4 | 1/1 |
|------|------------|----|-----|