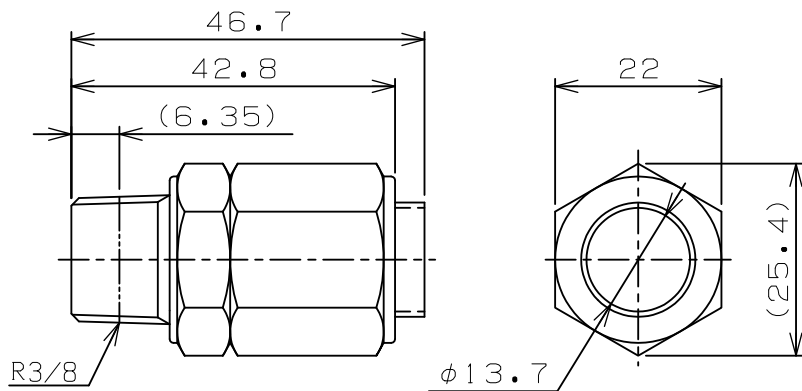


TITLE	KADOMILESS KANTOUCH
MODEL	TH8-1/4-B-N-R ₀



TITLE	KADOMILESS KANTOUCH
MODEL	TH8-3/8-B-N-R ₀

TH8-B-N-R ₀	RGL JOINT CO., LTD
------------------------	--------------------

DATE	08, 02, 29	A4	1/1
------	------------	----	-----