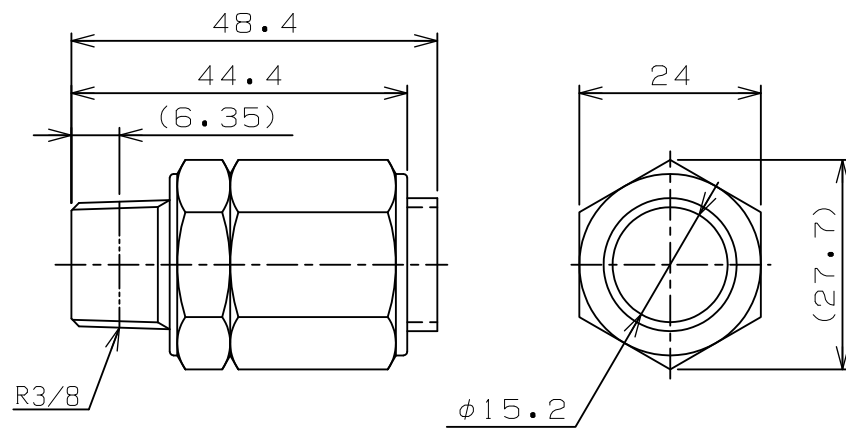


TITLE	KADOMILESS KANTOUCH
MODEL	TH9-1/4-B-N-R0



TITLE	KADOMILESS KANTOUCH
MODEL	TH9-3/8-B-N-R0

TH9-B-N-R0	RGL JOINT CO., LTD
------------	--------------------

DATE	08, 02, 29	A4	1/1
------	------------	----	-----