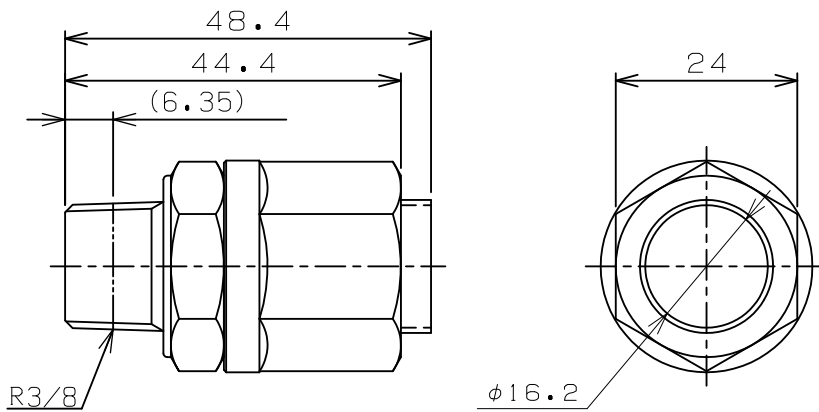
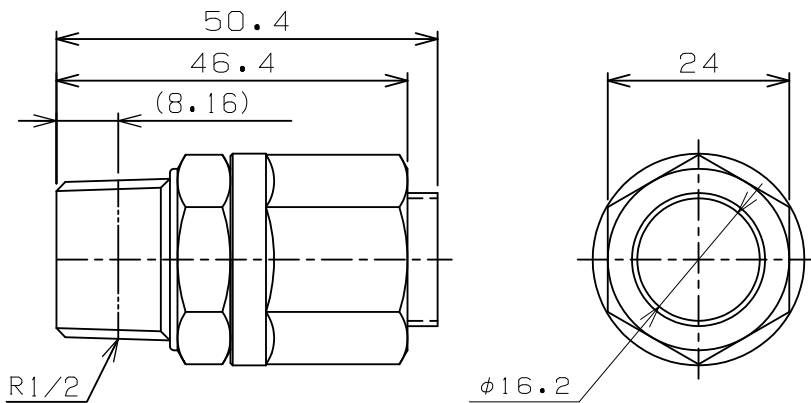


TITLE	KADOMILESS KANTOUCH
MODEL	THJ10-1/4-B-N-R _o



TITLE	KADOMILESS KANTOUCH
MODEL	THJ10-3/8-B-N-R _o



TITLE	KADOMILESS KANTOUCH
MODEL	THJ10-1/2-B-N-R _o

THJ10-B-N-R _o	RGL JOINT CO., LTD
--------------------------	--------------------

DATE	08, 02, 28	A4	1/1
------	------------	----	-----