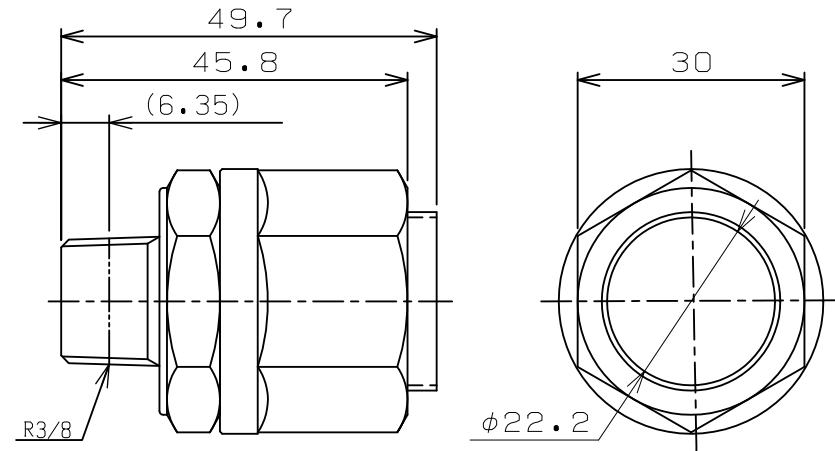
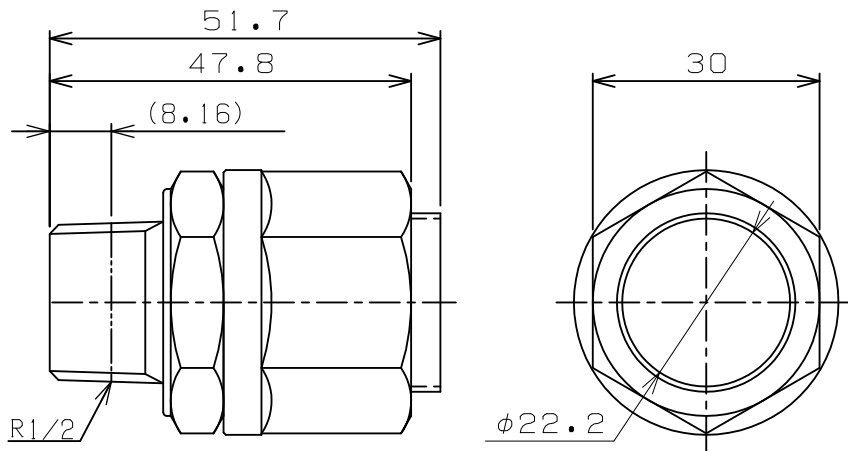


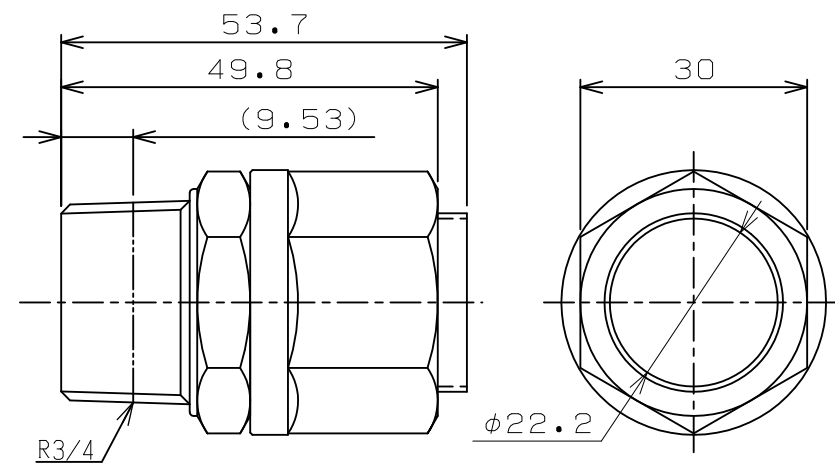
TITLE	KADOMILESS KANTOUCH
MODEL	THJ15-1/4-B-N-R <sub>0</sub>



TITLE	KADOMILESS KANTOUCH
MODEL	THJ15-3/8-B-N-R <sub>0</sub>



TITLE	KADOMILESS KANTOUCH
MODEL	THJ15-1/2-B-N-R <sub>0</sub>



TITLE	KADOMILESS KANTOUCH
MODEL	THJ15-3/4-B-N-R <sub>0</sub>

MODEL	THJ15-B-N-R <sub>0</sub>	RGL JOINT CO., LTD
DATE	08, 02, 28	A4 1/1