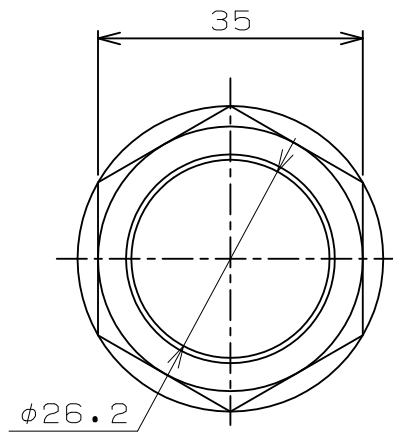
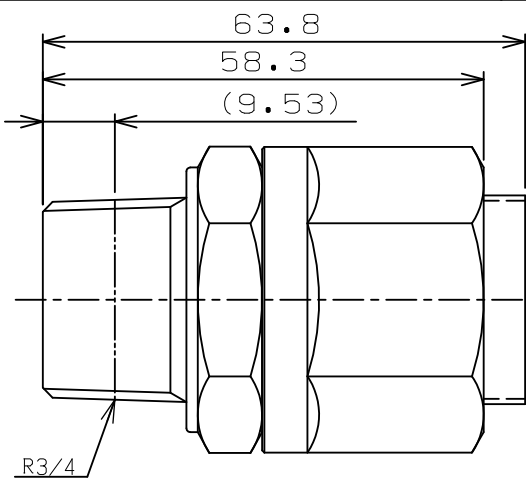
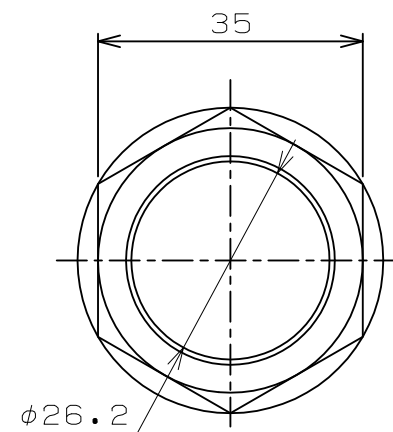
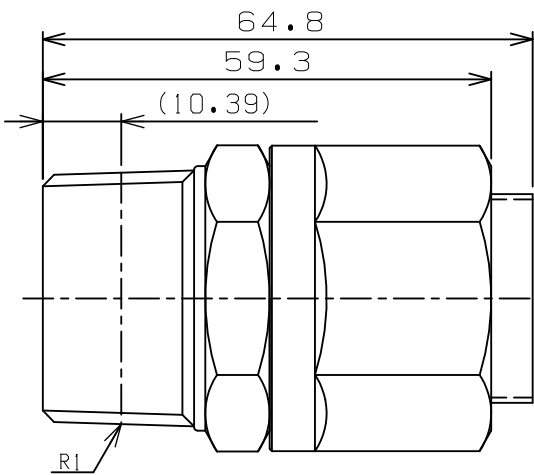


TITLE	KADOMILESS KANTOUCH
MODEL	THJ19-1/2-B-N-R <sub>o</sub>



TITLE	KADOMILESS KANTOUCH
MODEL	THJ19-3/4-B-N-R <sub>o</sub>



TITLE	KADOMILESS KANTOUCH
MODEL	THJ19-1-B-N-R <sub>o</sub>

THJ19-B-N-R<sub>o</sub>

RGL JOINT CO., LTD

DATE 08, 02, 28

A4

1/1

**RGL JOINT**