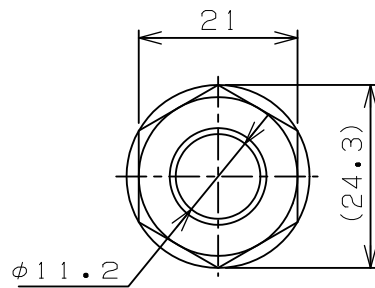
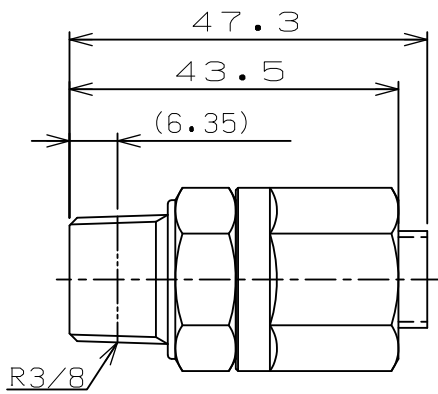


TITLE	KADOMILESS KANTOUCH
MODEL	THJ6-1/4-B-N-R _o



TITLE	KADOMILESS KANTOUCH
MODEL	THJ6-3/8-B-N-R _o

THJ6-B-N-R _o	RGL JOINT CO., LTD
-------------------------	--------------------

DATE	08, 02, 27	A4	1 / 1
------	------------	----	-------