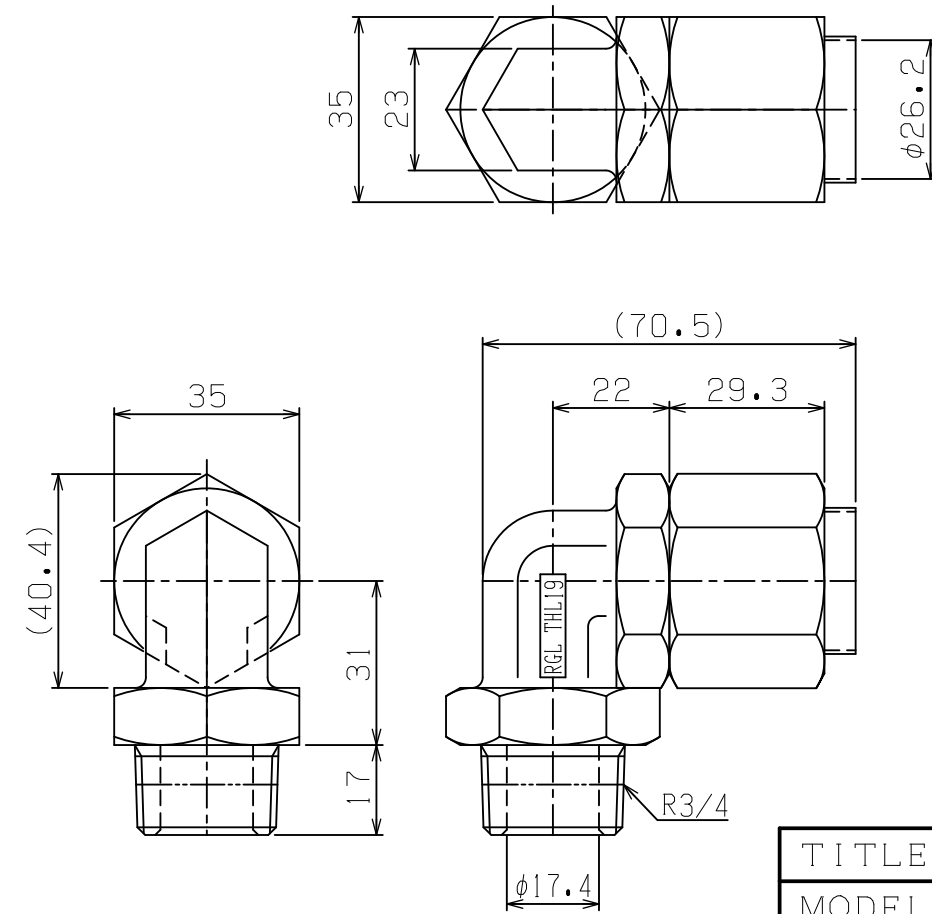


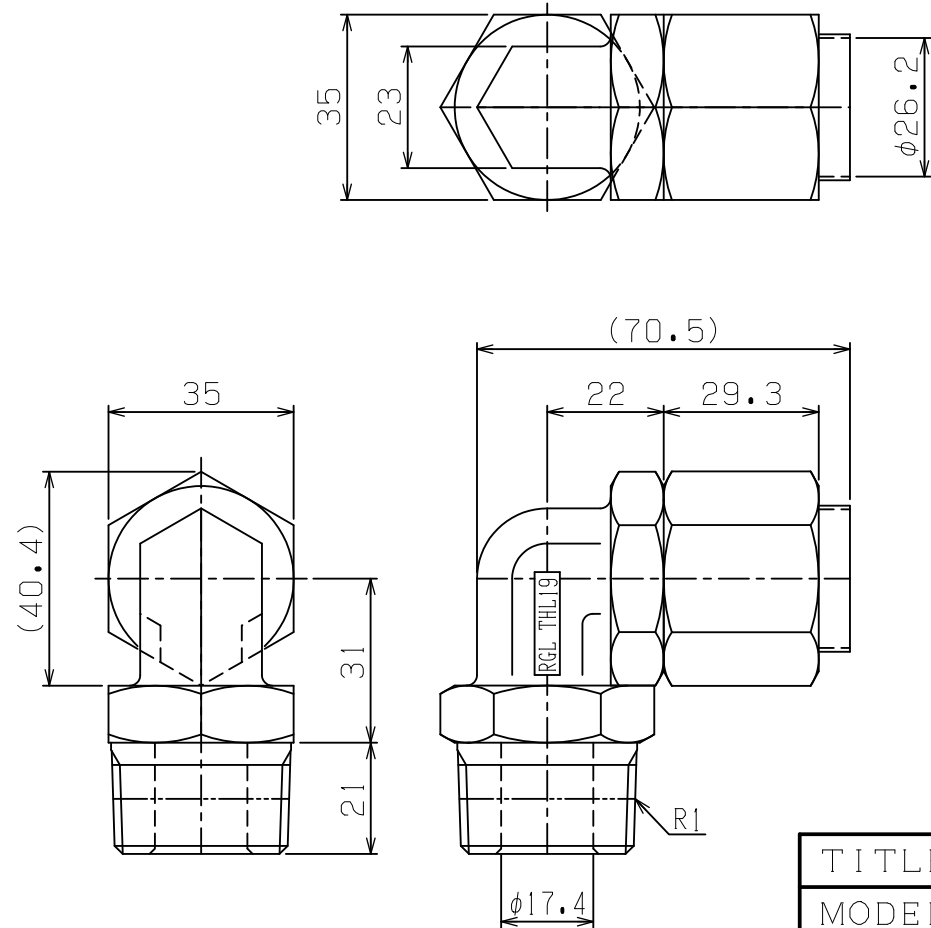
O-RING P20

TITLE	KANTOUCH_L
MODEL	THL19-1/2-S



O-RING P20

TITLE	KANTOUCH_L
MODEL	THL19-3/4-S



O-RING P20

TITLE	KANTOUCH_L
MODEL	THL19-1-S

THL19 CAD DATA	REGAL JOINT CO., LTD
DATE 11, 12, 20	A2 1/1