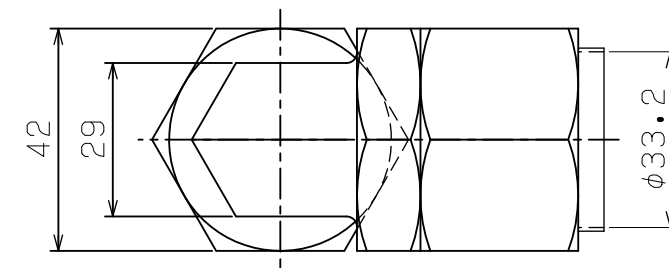
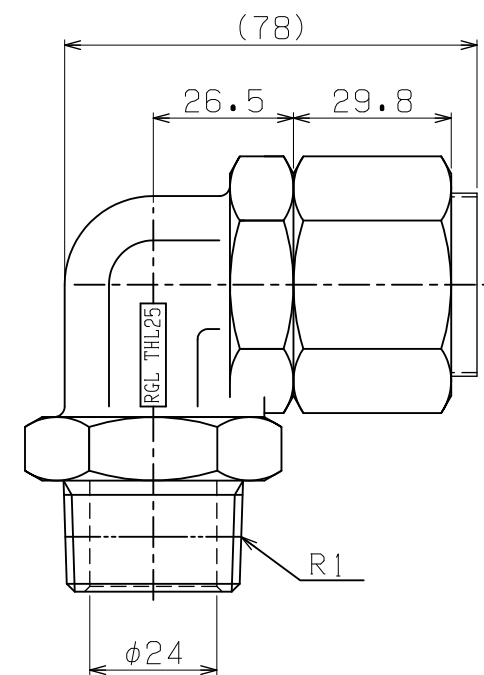
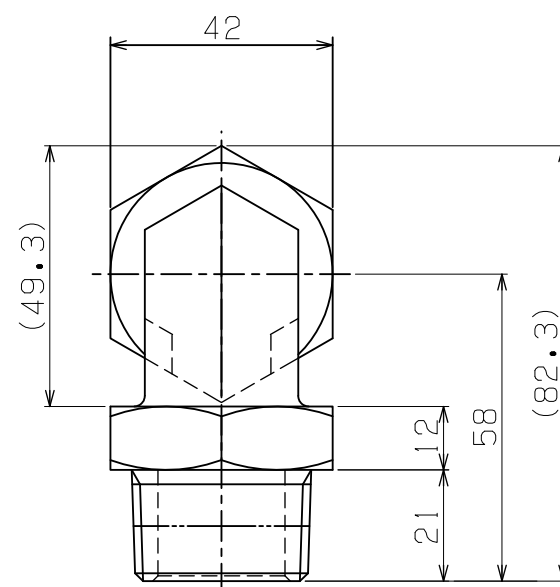


O-RING P24

TITLE	KANTOUCH_L
MODEL	THL25-3/4-S



O-RING P24

TITLE	KANTOUCH_L
MODEL	THL25-1-S

THL25 CAD DATA	REGAL JOINT CO., LTD
DATE 11, 12, 20	A2 1/1

RGL JOINT