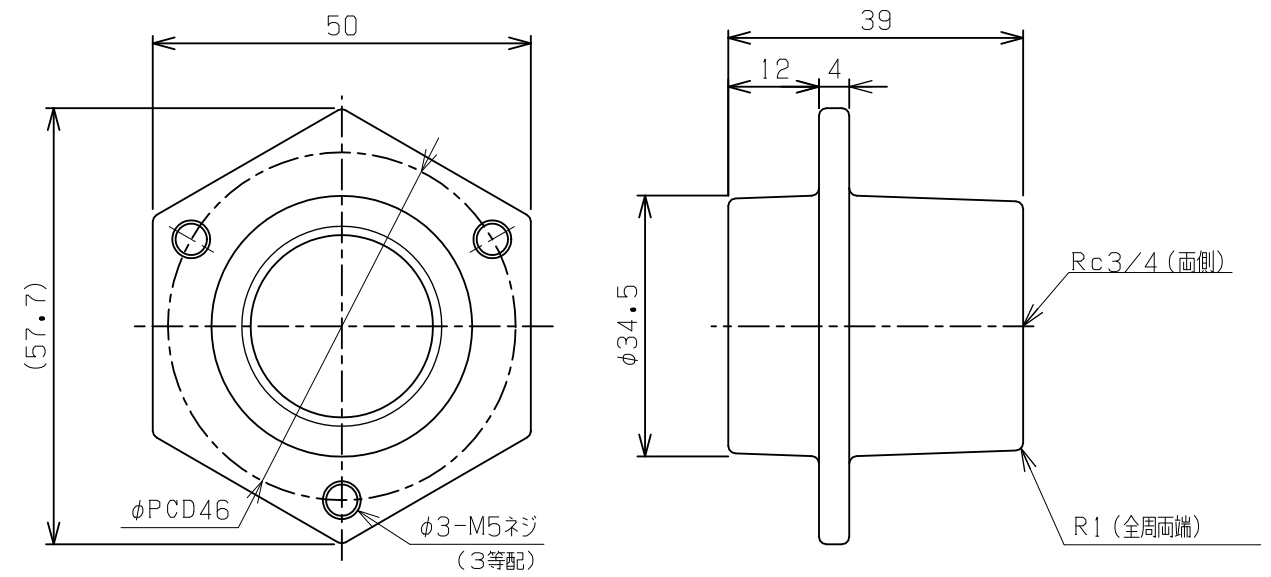
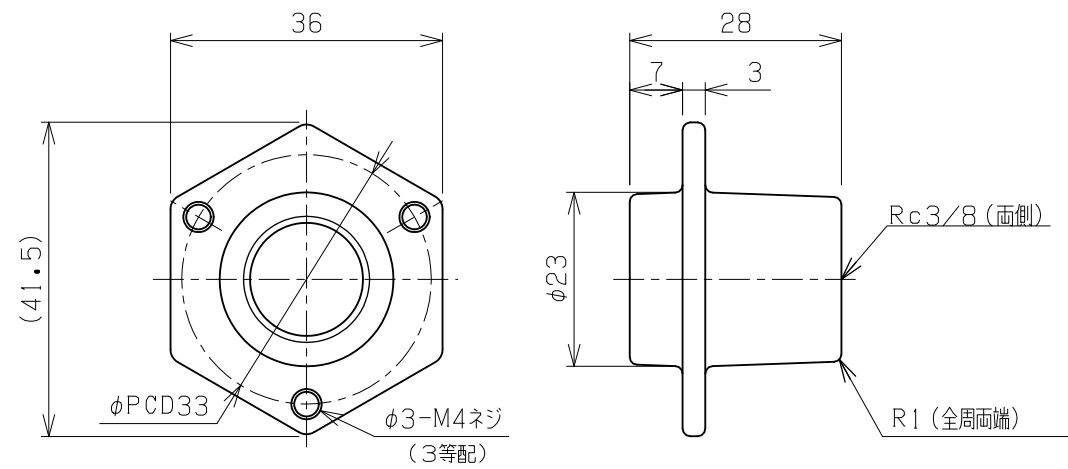


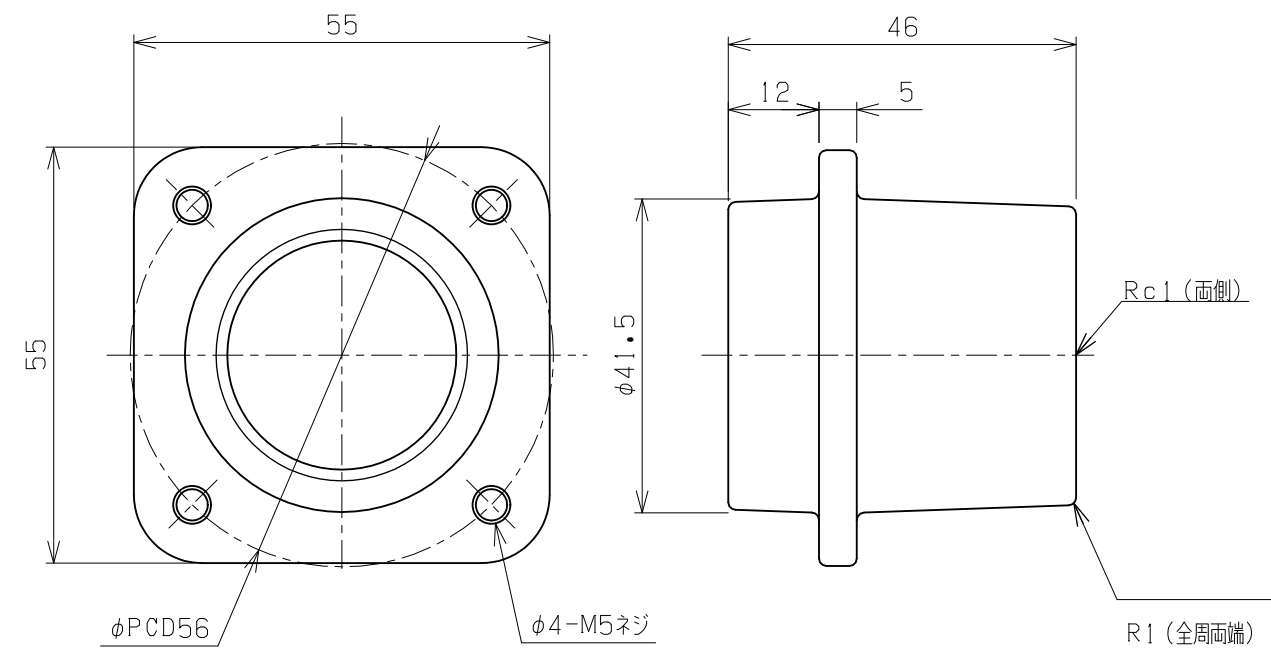
TITLE	PANEL TOUCH
MODEL	TTH-02



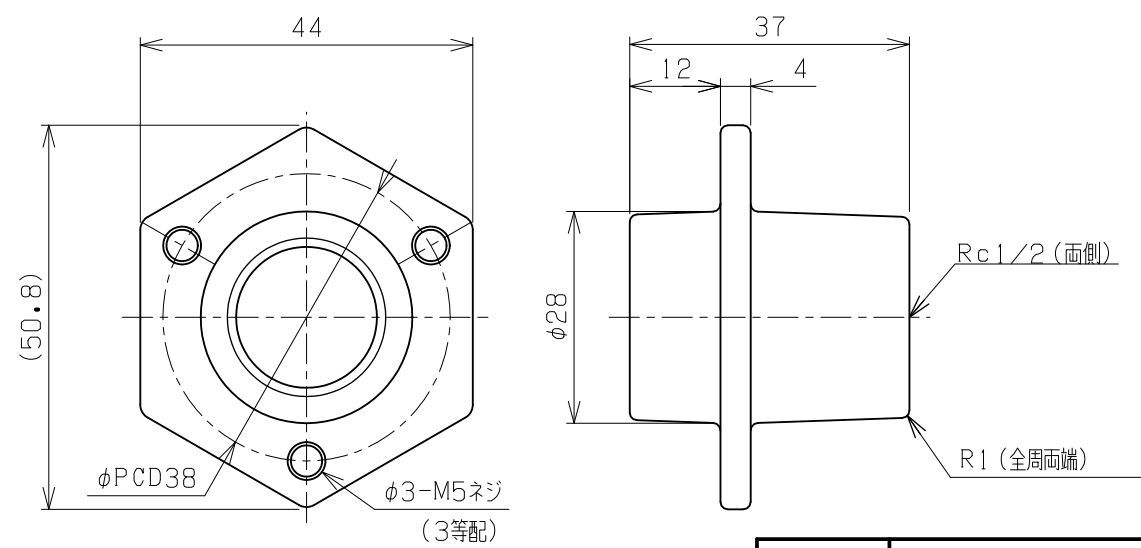
TITLE	PANEL TOUCH
MODEL	TTH-06



TITLE	PANEL TOUCH
MODEL	TTH-03



TITLE	PANEL TOUCH
MODEL	TTH-08



TITLE	PANEL TOUCH
MODEL	TTH-04

PANEL TOUCH

RGL JOINT CO., LTD

DATE 2008.01.21

A3

1/1

RGL JOINT